

Datasheet

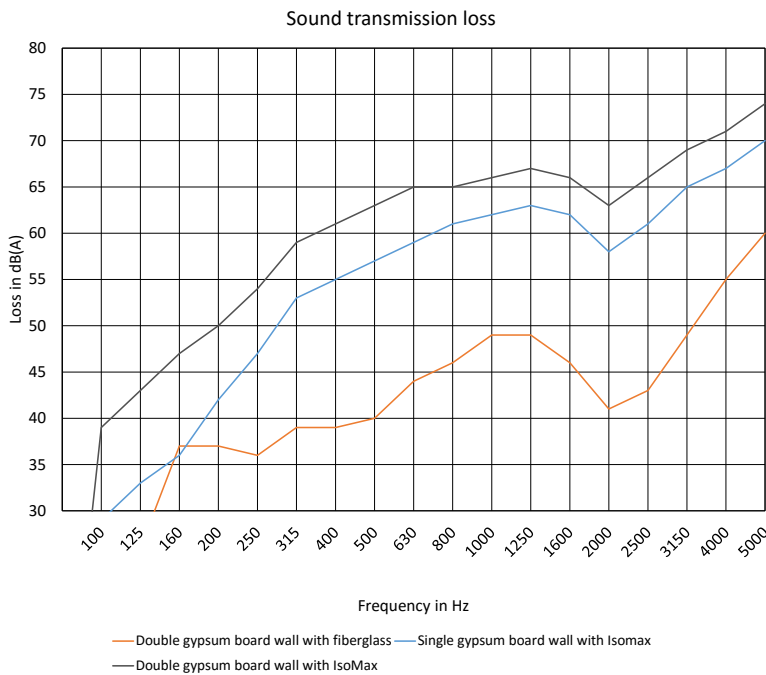
IsoMax: Sound Isolation Clip

Low Cost, Space Saving Walls and Ceilings

Designers wanting low-cost, space-saving ceilings and walls that provide superior noise control employ IsoMax sound isolation clips. Offering significantly higher STC values than drywall attached to resilient channel, IsoMax ensures that installers will not inadvertently screw through the “resilient” leg of the channel into the joist or stud. This feature cannot be underestimated given the frequent, unknown occurrences where resilient channel is accidentally rendered ineffective because it is hard-attached.

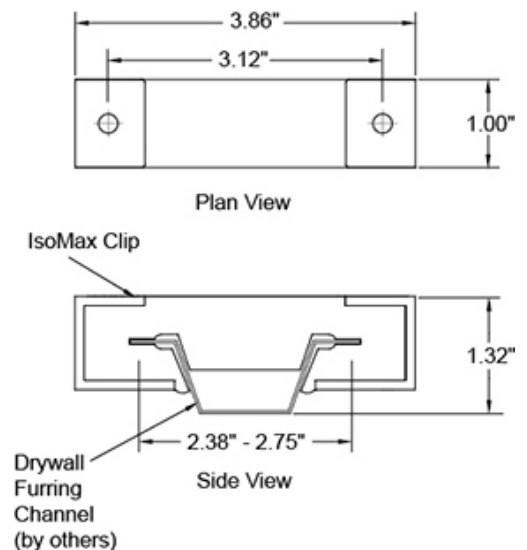
The IsoMax Advantage

- Low cost for high performance.
- Flexible “snap-on” clips install quickly, and allow for height adjustments during installation of channel.
- Achieves an improvement in RW-value of 16 dB* and 20 dB**.
- Can easily accommodate furring channel widths from 60 mm to 70 mm.



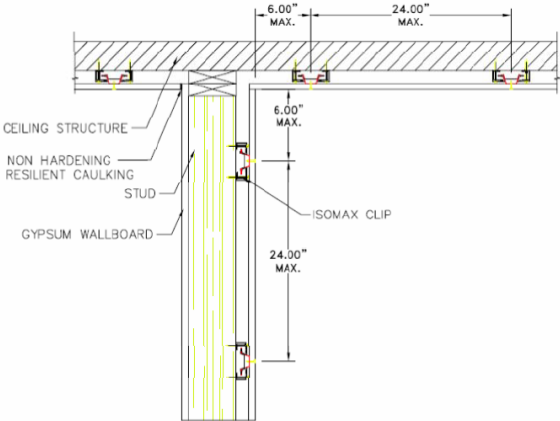
* When combined with two sided single gypsum boards of 16 mm thickness and 100 mm framewall, with fiberglass
 ** When combined with two sided double gypsum boards of 16 mm thickness and 100 mm framewall, with fiberglass

IsoMax Detail



NOTE: Some color variation on the rubber component of the IsoMax clip is normal. This is based on the amount of surface wax (white in color) present on the black rubber. Product performance is not affected.

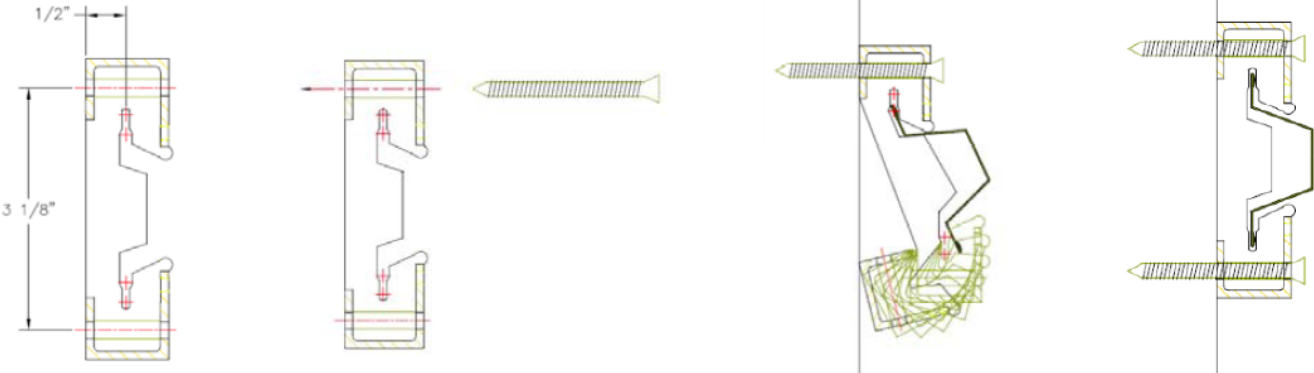
Example



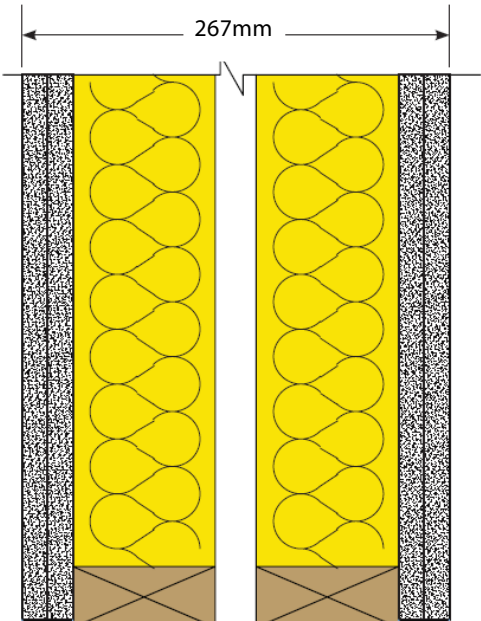
Ceiling construction



Mounting



Double wall construction



IsoMax application

